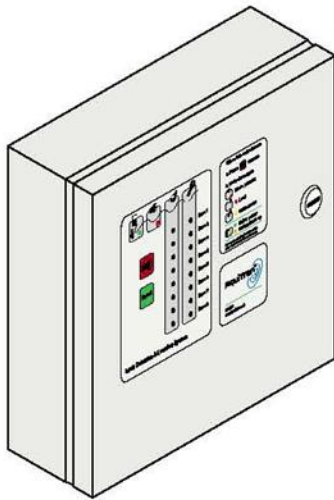


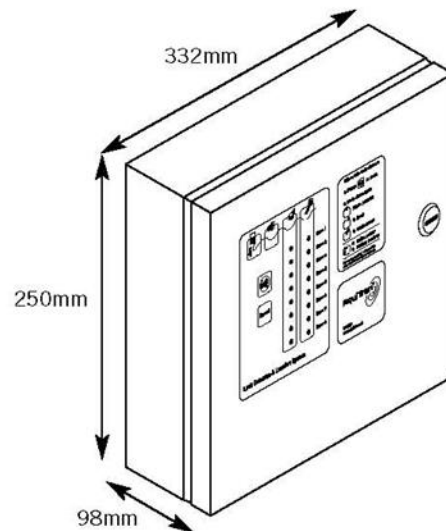
Description

The AquiTron™ MZA multiple zone alarm panel is designed for use with all TraceTek sensing cables and AquiTron(sensors to detect liquid and refrigerant - gas leaks. The MZA is capable of monitoring individual sensing zones in any of the following configurations 2, 4, 6 and 8 zones. Making it a truly versatile panel. The AT-MZA provides both visual and audible indication when a leak or cable fault has occurred. There are relay contacts to connect each zone to other equipment such as BMS, PLC's, other alarm and monitoring systems.



Versatile design

The MZA metal enclosure can be easily mounted to a wall or other flat surface. A semi-flush mounting flange is also available. The enclosure is lockable, has an IP54 rating and a 90 decibel audible alarm. An auxiliary remote alarm (AT-RAP) can be added to the system for remote locations such as reception areas and security rooms. The AT-SZA unit operates on 230/120Vac (50/60HZ) and 12Vdc. A battery enclosure unit (AT-BU) for 24-hour operation is also available.



Simple operation

The panel display includes LEDs for each zone. In the event of a leak, the alarm sounds and the LED indicates the zone where the leak has occurred. The operator silences the alarm by pressing the external MUTE button.

The LED's located on the front faceplate indicate Power, (mains or battery back-up), Alarm, Leak alarm and Cable break. Once the alarm has been silenced, the red Alarm LED will stop flashing to indicate the system has been acknowledged and the appropriate zone Leak or Cable break LED will be illuminated. Once the cause has been located and corrected the corresponding LED will automatically be extinguished, and the panel can be Reset. Pressing the Reset button also resets the volt free alarm relay contacts.

Any loss of system integrity, whether caused by an interruption of power or a break in a sensing circuit, will be indicated by the panel's display and the Fault relay contacts.


Applications

The AT-MZA is ideally suited for multiple integration into centralised monitoring systems for computer rooms or large facilities, as well as interfacing into control systems for air conditioning and fan coil units, pump, booster and generator sets. There are individual volt free alarm relays for each of the 8 zones, additional summary relays are included for leak and cable break/power failure. Remote external connection can also be provided to Speech auto diallers. Typical applications include monitoring leaks that would occur around individual air-handling units, water-cooled machinery, tanks, pumps, sumps, lift pits or other locations.

Technical Information

Sensing cable compatibility	All TraceTek sensing cable (TT1000, 3000, 5000, 5001, 7000)
Detection Probes	Water detection probes, optical oil sensors, float switches and immersion sensors
Maximum length of sensing cable	100 metres (328 ft) per zone
Enclosure	Powder coated steel, colour RAL 7032, IP 54, lockable
Humidity	5% to 95% non-condensing
Power supply	230/120Vac, 50/60Hz, 12Vdc, 7 watts
Relay Output	Volt free relay contacts activated by leak or cable fault (NC/COM or NO/COM)
Status LED	Power (Mains-Green, Battery-Red), Alarm (red flashing), Leak (Red), Cable break (Yellow)

Approvals

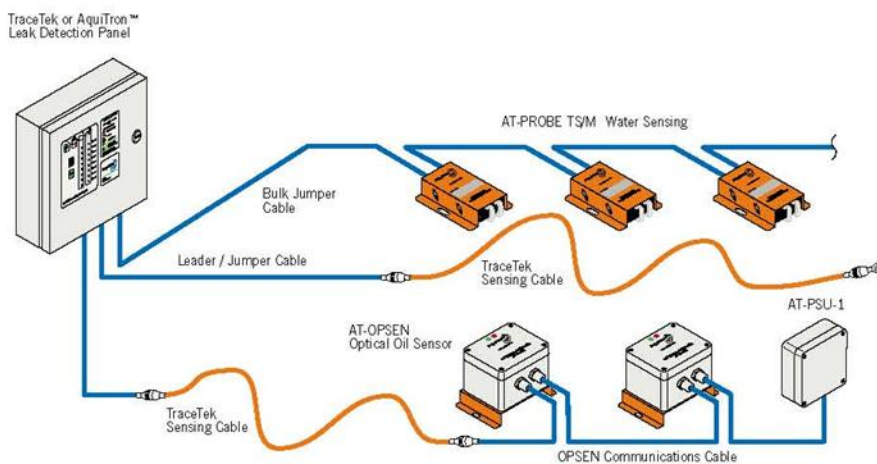
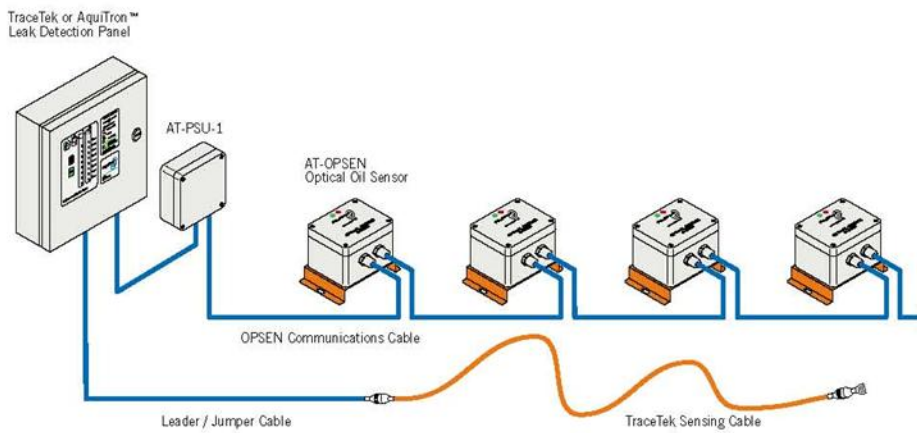
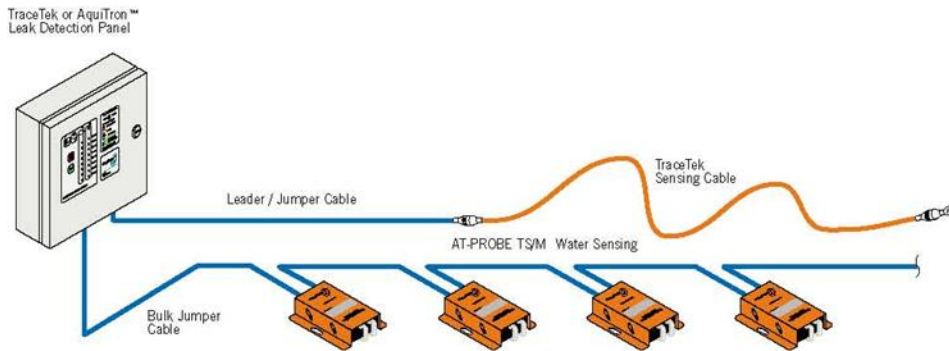
 Electromagnetic compatibility (EMC)	Compliant with standards for immunity Compliant with standards for emissions	EN61000-6-2:1999 (Heavy industrial) EN50081-1
---	---	--

Ordering information

Catalogue number	3560	AT-MZA Multi Zone Alarm Panel
------------------	------	-------------------------------

Ancillary Products

3660	AT-MZA-SFMF Semi Flush Mounting Flange
3485	AT-BU Battery Unit
2335	AT-RAP Remote alarm panel (230Vac)



**3 Kent Road, Dagenham, Essex, RM10 8HA,
 United Kingdom**
Tel: +44 (0) 845 686 6066
Fax: +44 (0) 845 686 6067
Email: info@resikom.com
Web: www.resikom.com