



Digital Liquid leak detection system

FG-SENSOR Digital Water Sensor

Product data

The TTK FG-SENSOR sensing cable detects the presence of conductive liquids; the FG-SENSOR is connected to one of digital FG-SYS units from TTK. The FG-SENSOR acts immediately in the event of any leaks of liquids.

A Reliable Sensing Cable.

The FG-SENSOR performs the following functions:

- Detects the leak with the digital unit FG-SYS
- Detects any cut or interruption in the cable.

The FG-SENSOR ensures permanent protection in areas at risk.

The FG-SENSOR ensures permanent protection in areas at risk.

The Digital Sensor is installed to provide the best possible protection in order to cover risks and limit the financial consequences of an undetected leak.

Easy Installation.

The electrical continuity is made with a length of Belden jumper cable connected to various FG-SENSOR and the digital unit.

Prepressed PG knockouts of appropriate size on the diversion box sides make jumper cabling quick and easy.

IP 67 is the protection rating, which keeps FG-SENSOR out of dust and water.

A Tough and Sturdy Design.

Small in diameter, the FG-SENSOR sensing cable is light, flexible and of an easily identifiable colour. Its 4 PEHD conducted helical jacket construction - compression-connected on an extruded central core - reduces the risk of contamination and untimely alarms.

Operation of the detection system is facilitated by the FG-SENSOR sensing cable's short drying time

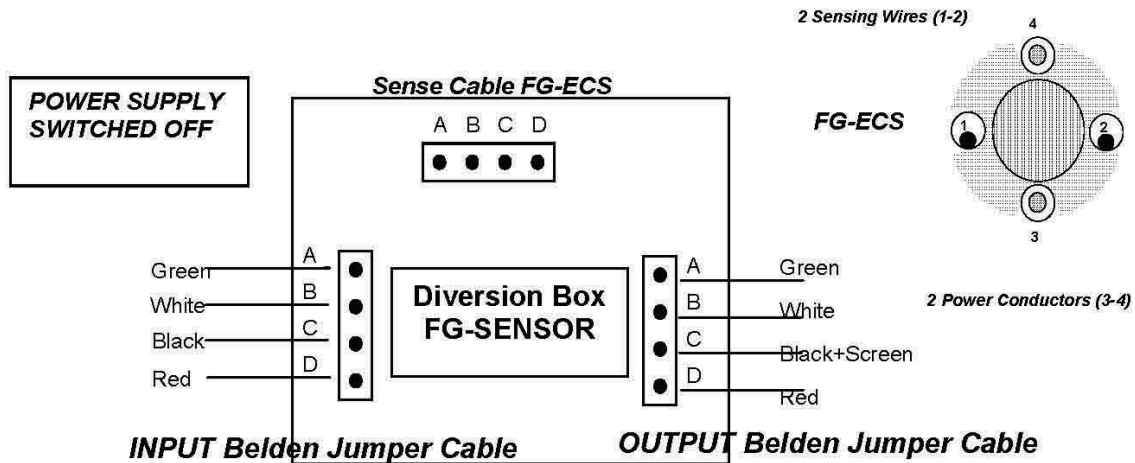
It is made from the best quality materials which are abrasive-resistant in hostile environments.



FG-SENSOR Digital Water Sensor

Product Characteristics

FG-SENSOR made with Four Wires Sensing Cable



(Photo not to scale)

FG-ECS water sensing cable diameter:	8 mm with PELD jacket
Four sensor wires diameter:	1,2 mm with PEHD jacket
Protection rating	IP 67, that keeps out dust, damp and water
FG-SENSOR colour:	Grey impact-resistant polycarbonate for the diversion box and dark blue for the sensing cable
Maximum temperature exposure:	85°C

Identification Codes

FG-SENSOR	Digital Water Sensor
Accessories:	
Belden Mounting	8723 Belden Jumper Cable Accessory to fix the box



3 Kent Road, Dagenham, Essex, RM10 8HA,
United Kingdom

Tel: +44 (0) 845 686 6066

Fax: +44 (0) 845 686 6067

Email: info@resikom.com

Web: www.resikom.com