



## TT-EIS-2B TraceTek iServer

The TraceTek iServer is a simple and economical way to connect TraceTek Sensor Interface Modules (TT-SIM) to an Ethernet network and the Internet. When you type its name in a Web Browser, it serves customized TraceTek web pages that let you quickly and easily determine the status of your TraceTek leak detection system without any special software.

Getting started with the TraceTek iServer is simple and easy because it can take a dynamically assigned IP address from a DHCP server on your network. This DHCP client capability is a valuable and unique feature of the TraceTek iServer that makes it easy to start using this device on almost any Ethernet network. And, you can easily assign a static IP address to the iServer instead of a dynamic one, if necessary.

The TraceTek iServer connects up to 8 TT-SIM devices to an Ethernet Network with a standard network connector. The individual TT-SIM units are connected to the TraceTek iServer with a twisted pair, RS-485 two-wire network. The TT-SIM units can be mounted adjacent to the iServer or located thousands of feet away if necessary, but in most cases the iServer provides an opportunity to take advantage of the installed Ethernet and thereby minimize additional wiring costs.

When used in conjunction with a TTD-128 Alarm Panel, the iServer can "see through" the TTD and provide a separate remote status screen via the LAN and standard browser software.

Since most leak detection systems are used for long term monitoring, the TraceTek iServer comes with a free companion Windows application. This companion application is installed on any Windows computer that is also connected to the LAN. The function of this software is to monitor all of the TraceTek iServers in your facility for leak detections or other alarm conditions. If an alarm condition is detected by one of the TT-SIM units, the monitor program will immediately send an email notification to up to five recipients. The recipients can be pagers, cell phones or normal email accounts.

If a leak in one of your facilities is detected, the right people will be informed within a few seconds. They can then use any PC with access to the LAN and use a standard Web Browser to get detailed status information including the leak location to the nearest meter.

- Connects TT-SIM units to an Ethernet network and the Internet
- Replaces dedicated wiring and PC's
- Includes Windows based monitor and email notification to pager and mobile phones
- Use any browser to view status, leak locations etc.
- Simple industry standard connectivity to LAN and WAN using DHCP and HTTP protocol
- 24 VDC power
- Password protected
- DIN Rail Mounting



### Midco Terminal

No.	SIM Channel	Channel ID	Current Status	Leak (Feet)
1	1	Pipe Section 1	NORMAL	--
2	3	Valve Manifold	LEAK	0
3	4	Tank 1 Sump	NORMAL	--
4	5	Tank 2 Sump	TROUBLE	--
5	---	-----	----	--
6	1	Another tank	NORMAL	--
7	3	tank 1 north	LEAK	0
8	---	-----	----	--

iServer Setup

Advanced

Update

Change to Meter

Click on device no. on left to modify SIM configuration.  
Firmware Version test\_TY-0e

Ordering  
Information

Catalog Number

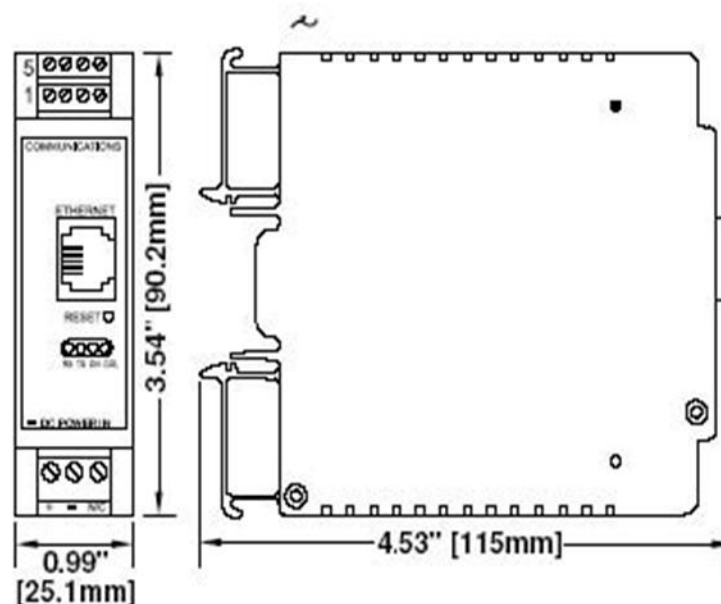
Description

TT-EIS-2B

TT-iServer, SIM to Ethernet bridge, 24 VDC



General Features	Serial Interface to SIM units	SIM Interface: RS-485 2-wire Connector: 2 screwterminal plug SIM Data Rate: 9600 Baud
	Network Interface	Interface: Ethernet 10Base-T Connector: RJ-45 LAN Cable Protocols: DHCP, HTTP, TCP/IP
	Indicators	Network Activity, Network Link Serial Port Tx/Rx
Digital	CPU Memory Configuration Web Service	Enhanced 8051, 22 MHz Sufficient for 8 SIM units Via built-in web interface Custom TraceTek Status pages
Power	Input Voltage Power	10-32 VDC 2 watt maximum
Environmental ratings	Storage Temperature	- 40C to + 125 C
	Operating Temperature	0C to + 70C
Packaging	Enclosure Rating	IP20
	Mounting	DIN Rail
	Dimensions	90.2mm x 25.1 mm x 115.0 mm (3.54 x .99x 4.53 in)
Approvals	FCC-B, CUL, CE	Ordinary Area



**Resikom Limited**

**3 Kent Road, Dagenham, Essex, RM10 8HA,  
United Kingdom**

**Tel: +44 (0) 845 686 6066**

**Fax: +44 (0) 845 686 6067**

**Email: [info@resikom.com](mailto:info@resikom.com)**

**Web: [www.resikom.com](http://www.resikom.com)**